

CL Product Line

UV Excimer CL-7000PLD laser series

Key features

- High pulse energy up to 1 J
- Variable pulse duration 20-40 ns
- Metal ceramic design
- Long lifetime Thyatron switch
- Built-in Energy monitor
- Energy stabilization



Optromix CL7000PLD is an excimer laser with 193 nm or 248 nm wavelengths. It has high pulse energy, up to 1 J, for material processing, medical and life science. It has stabilized energy output, which is achieved through energy stabilization system of the excimer laser. On top of that, CL7000PLD has an extended lifetime, because of its metal ceramic design and thyatron switch. Built In energy monitor makes it easy and convenient to use. It is a highly effective light source, simple to install and operate. Short pulse length and high beam quality are great for UV manufacturing applications.

Applications

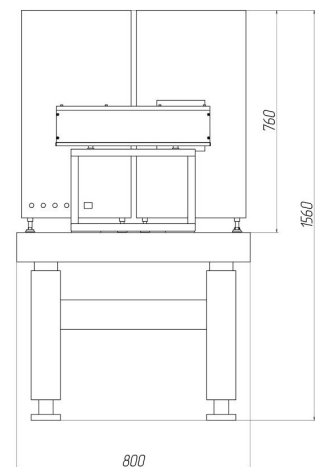
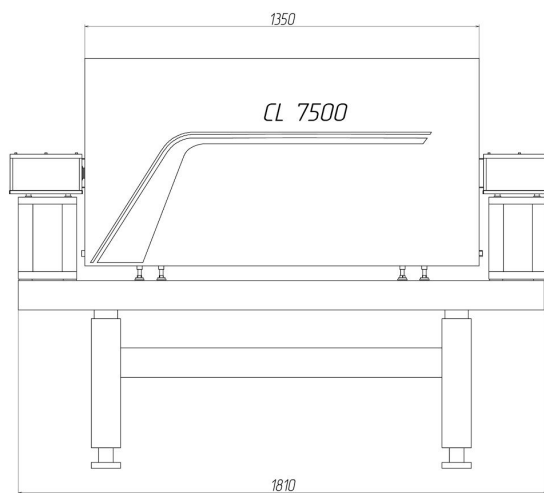
- Spectroscopy
- Material processing
- Micromarking
- Laser spraying
- DUV Lithography

Image from Fabri-Perot interferometer. Base of etalon 3 mm, $\Delta\lambda < 3$ pm

CL-7000PLD series specification

Parameter	Value	
Gas mixture	ArF	KrF
Wavelength	193 nm	248 nm
Nominal Pulse Energy	500 mJ	800 mJ
Average Power at 20 Hz	8 W	15 W
Max. repetition rate	20 Hz or 50 Hz	
Pulse duration	20 - 40 ns	
Pulse energy stability	sigma < 2%	
Beam size (V * H)	20 mm x 20 mm	
Beam Divergence (V * H)	4.5 mrad x 1.5 mrad	
Time jitter	< 2 ns	
Gas	1 premix cylinder	
Cooling	water < 3 liter/min	
Control interface	RS-232 (Windows)	
Power consumption	380/220 - 240 V, 50 - 60 Hz, 7 kW	
Dimensions (W x H x L)	800 x760 x 1810 mm	
Weight	360 kg	

Warranty: 1 year



Information in this document is a subject to change without notice.